

SJ101605
(ON 0NIMVHD)台巻理図

| 版数 REV. | 年月日 DATE | DCN NO. | 変更内容 DESCRIPTION | 製図 DR. | 担当 CHK. | 査閲 APPD. | 承認 APPD. |
|------------|-------------|---------|---------------------|-----------|------------|--------------------|--------------|
| 2 | 7.Mar.2005 | 056877 | ADDED ITEM | | S.NAKAJIMA | T.ISHIKAWA | O.HASHIGUCHI |
| 3 | 15.Mar.2006 | 059616 | 70芯の追加 | | T.ISHIKAWA | | O.HASHIGUCHI |
| 4 | 9.May.2008 | 065641 | REVISED LABEL | | Y.HONMA | <i>T. Ishikawa</i> | Y.YAMURO |

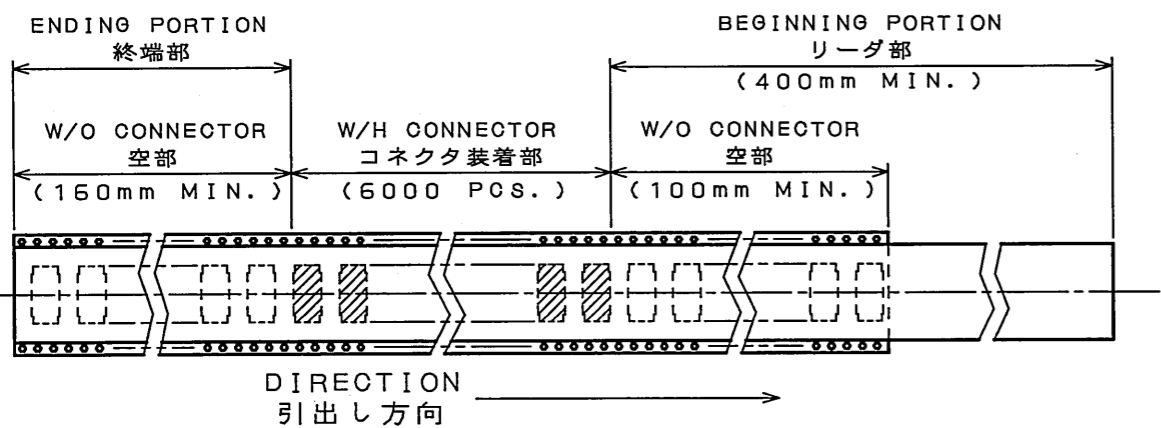
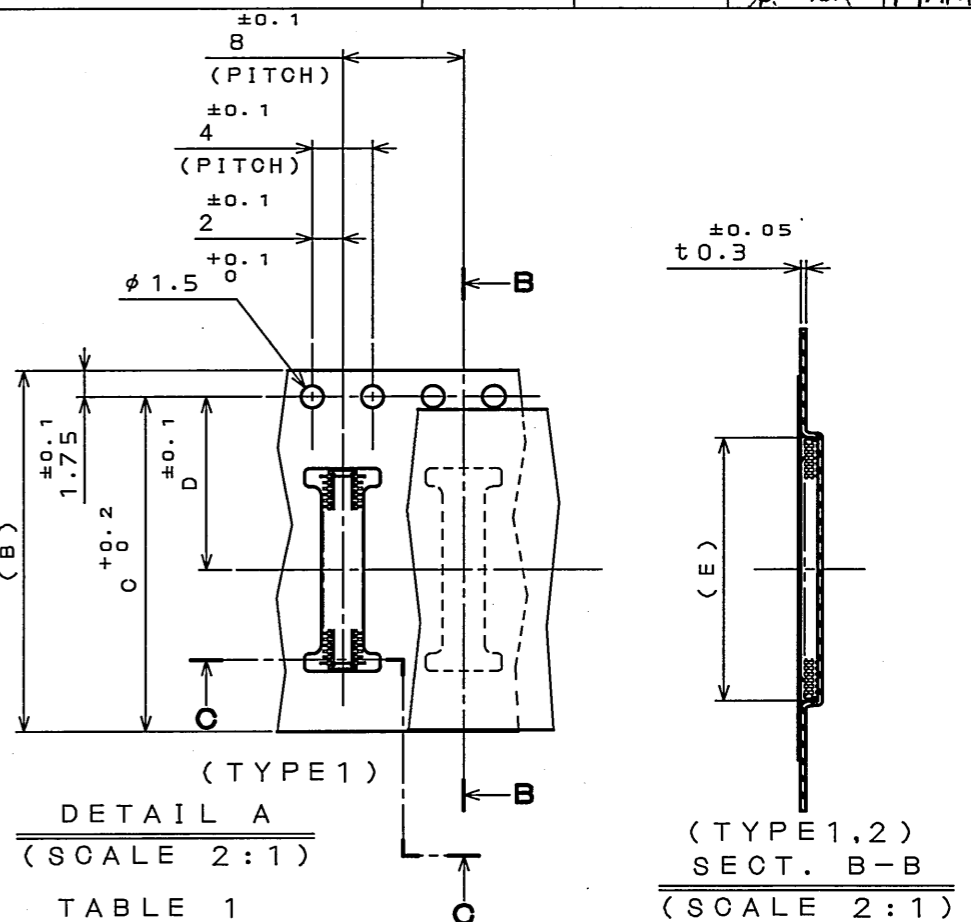
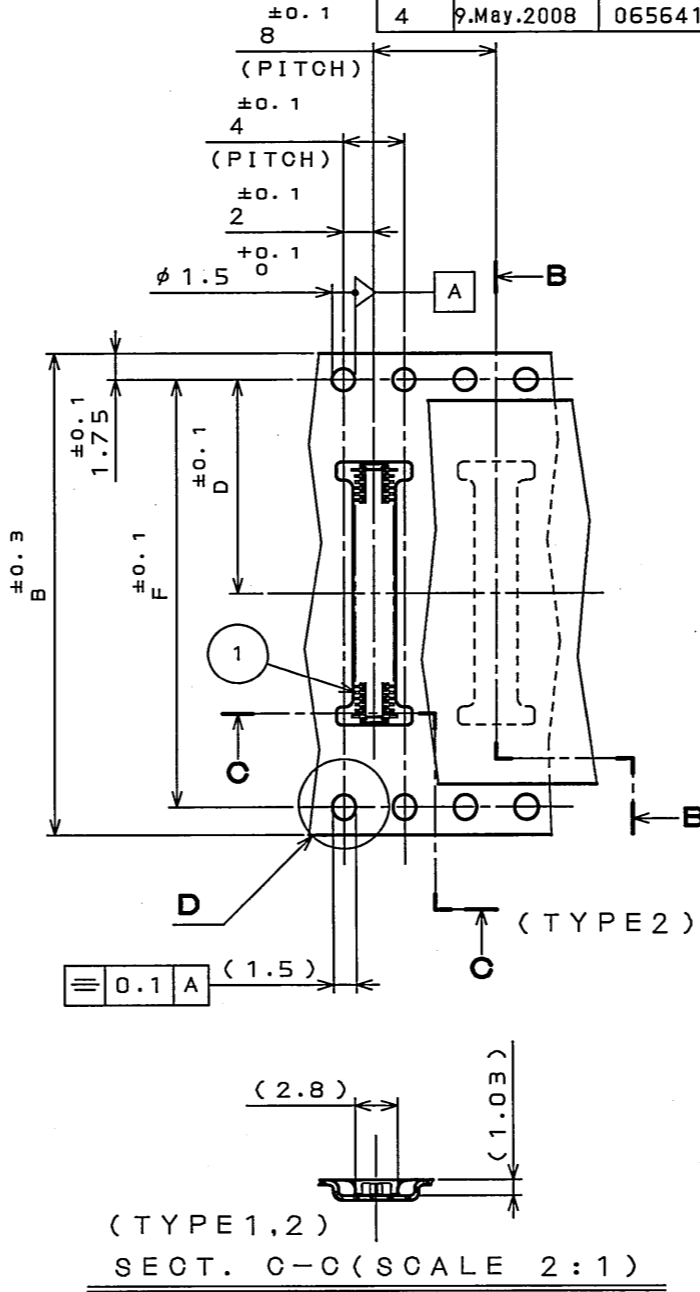
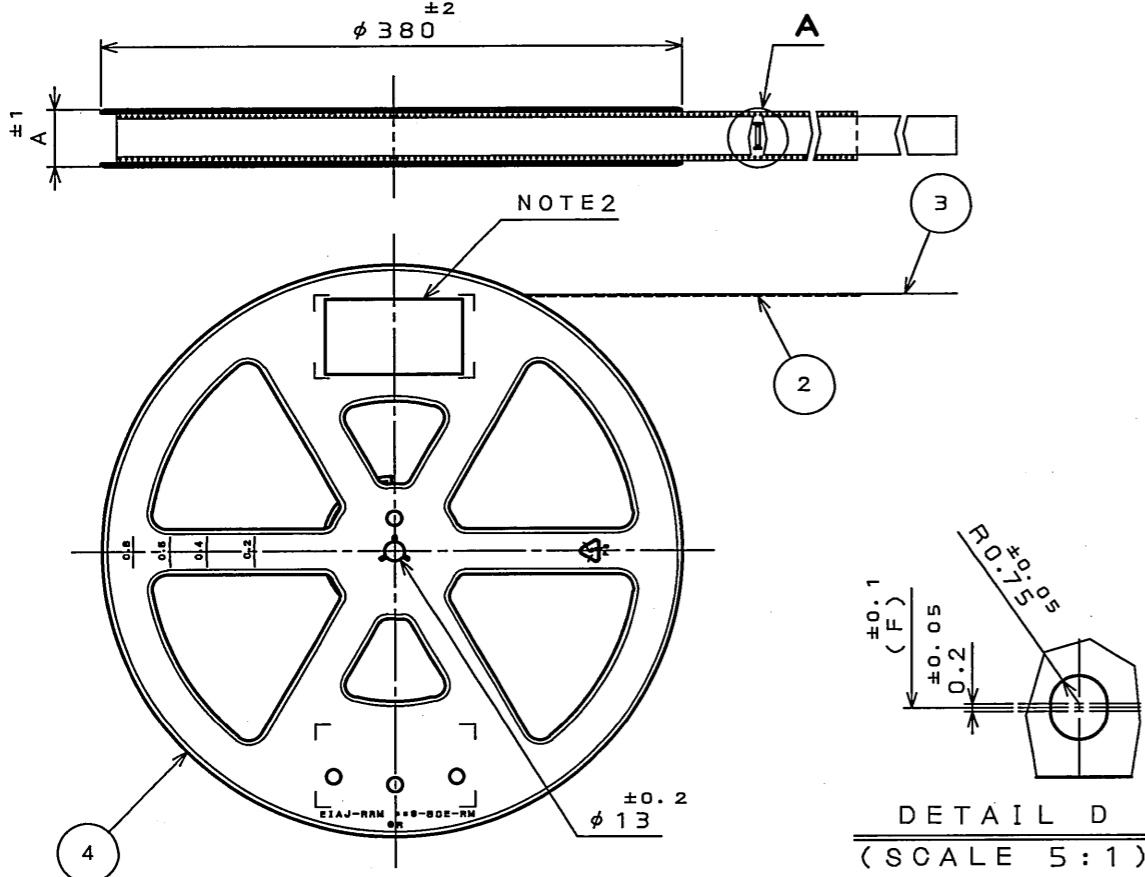


TABLE 1

| 名称(TITLE) | A | B | C | D | E | F | TYPE |
|----------------------|------|----|-------|------|------|------|------|
| △ AA03-P020VA2-R6000 | 21.5 | 16 | 14.25 | 7.5 | 5.5 | — | 1 |
| AA03-P022VA2-R6000 | 21.5 | 16 | 14.25 | 7.5 | 5.9 | — | 1 |
| △ AA03-P024VA2-R6000 | 21.5 | 16 | 14.25 | 7.5 | 6.3 | — | 1 |
| AA03-P030VA2-R6000 | 21.5 | 16 | 14.25 | 7.5 | 7.5 | — | 1 |
| AA03-P036VA2-R6000 | 21.5 | 16 | 14.25 | 7.5 | 8.7 | — | 1 |
| AA03-P040VA2-R6000 | 29.5 | 24 | 22.25 | 11.5 | 9.5 | — | 1 |
| AA03-P050VA2-R6000 | 29.5 | 24 | 22.25 | 11.5 | 11.5 | — | 1 |
| AA03-P064VA2-R6000 | 29.5 | 24 | 22.25 | 11.5 | 14.3 | — | 1 |
| △ AA03-P070VA2-R6000 | 29.5 | 24 | 22.25 | 11.5 | 15.5 | — | 1 |
| AA03-P080VA2-R6000 | 37.5 | 32 | — | 14.2 | 17.5 | 28.4 | 2 |

NOTE 1. SUFFIX "-R6000" OF THE PART NUMBER INDICATES THAT 6000 PCS. OF AA03-P***VA2 CONNECTORS ARE ACCOMMODATED IN REEL.
 2. THE LABEL, IN WHICH PART NO., NO. OF CONNECTORS, LOT NO., TAPE WIDTH AND FEED PITCH ARE MARKED IS TO BE ATTACHED ON THE MAGAZINE AS SHOWN.
 3. REFER TO THE DRAWING SJ101604 (AA03-P***VA2) FOR THE DIMENSIONS OF THE CONNECTOR.

注 1. "AA03-P***VA2-R6000"は、リールにコネクタを6000個収納した品名を示す。
 2. 図示の位置に右記のシールを貼り、品名、収納数、ロットNo.、及びテープ幅と送りピッチを記入すること。
 3. コネクタ寸法は、SJ101604 (AA03-P***VA2)を参照のこと。

現品ラベル/ARTICLE LABEL

品名(DESCRIPTION) AA03-P***VA2-R6000
 数量(Q'ty) 6000
 ITEM NO
 Lot No.
 ECode: T99908

Count:001
JAE001

2008/04/25
MADE IN JAPAN
JAE Japan Aviation Electronics Industry, Ltd. QCF-0-0628(07.12)/4P9-9006-2

(NOTE 2)
 (***:NO. OF CONTACTS)
 (***:WIDTH OF CARRIER TAPE)

| | | | | | | | |
|---------------------------------|-------------------------|----------------------------------|----------------|---|----------------------|---|-----------------------------------|
| 4 | REEL リール | 1 | PS | | | | |
| 3 | COVER TAPE カバーテープ | — | PET, PE | | | | |
| 2 | CARRIER TAPE キャリアテープ | — | PS | | | | |
| 1 | CONNECTOR コネクタ | 6000 | | | | | AA03-P***VA2 SJ101604 (NOTE 3) |
| 符号 NO. | 名称 DESCRIPTION | 個数 QTY. | 材料 MATERIAL | 仕上 FINISH | 備考 REMARKS | | |
| 仕様書(SPECIFICATION) JACS-1740 | | 第1版(ORIGINAL DATE) 3.Aug.2004 | | 尺度(SCALE) 1:5 | シリーズ(SERIES) AA03 | 日本航空電子工業株式会社 JAPAN AVIATION ELECTRONICS INDUSTRY, LTD. | |
| 公差差(GENERAL TOLERANCE) | | 製図 DR. | | 名称(TITLE) AA03 -P***VA2 -R6000 | | 図面番号(DRAWING NO.) SJ101605 | |
| 寸法(DIMENSION) | | 担当 CHK. S.NAKAJIMA | | 質量(MASS) | | 版数 (REV.) 4 | |
| 角度(ANGLES) | | 査閲 APPD. T.ISHIKAWA | | | | | |
| . ±0.8 | | 承認 APPD. O.HASHIGUCHI | | | | | |
| .X ±0.4 | | | | | | | |
| .XX ±0.1 | | | | | | | |
| .XXX ± | | | | | | | |

LEAD FREE この製品は鉛フリー品です